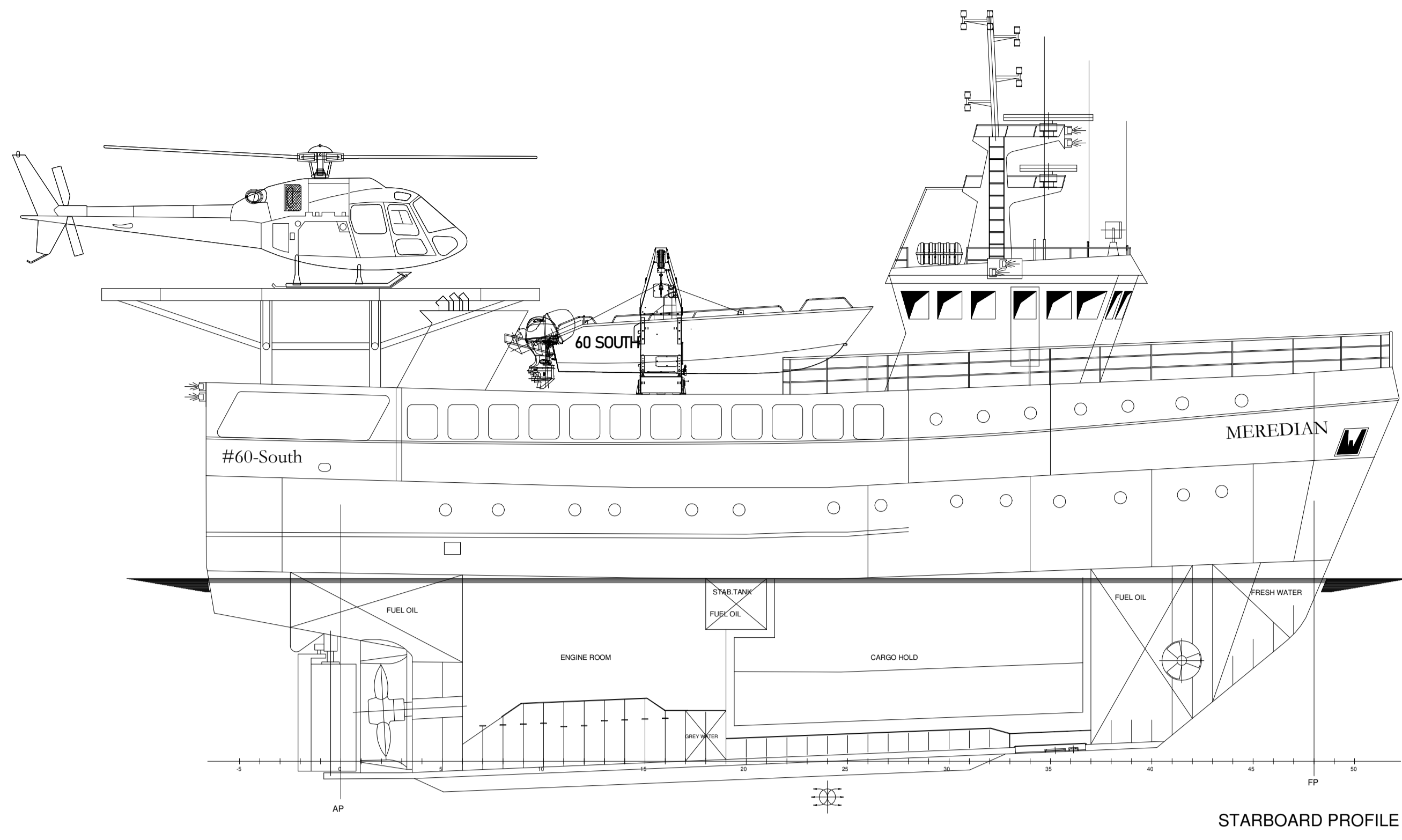
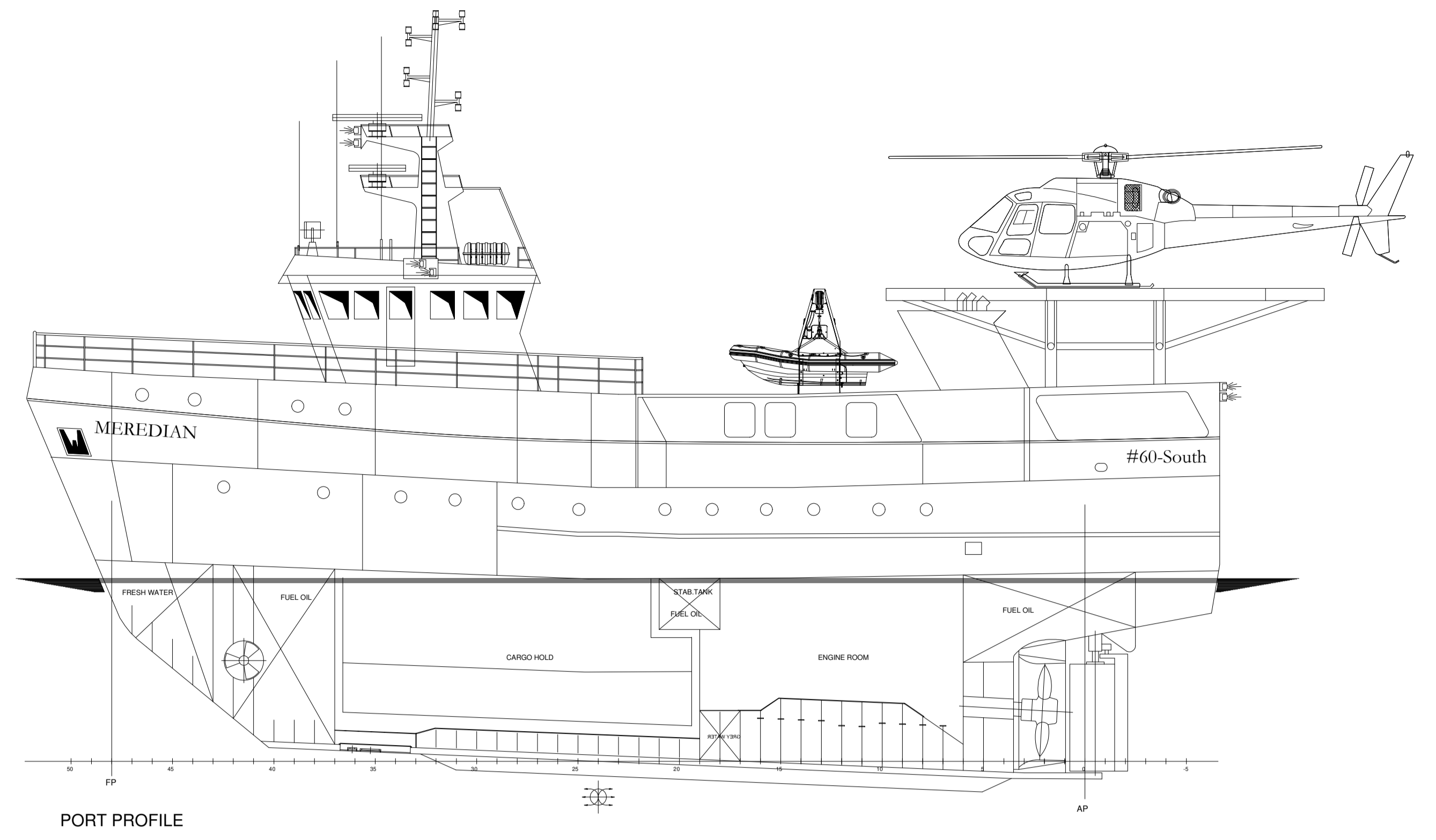


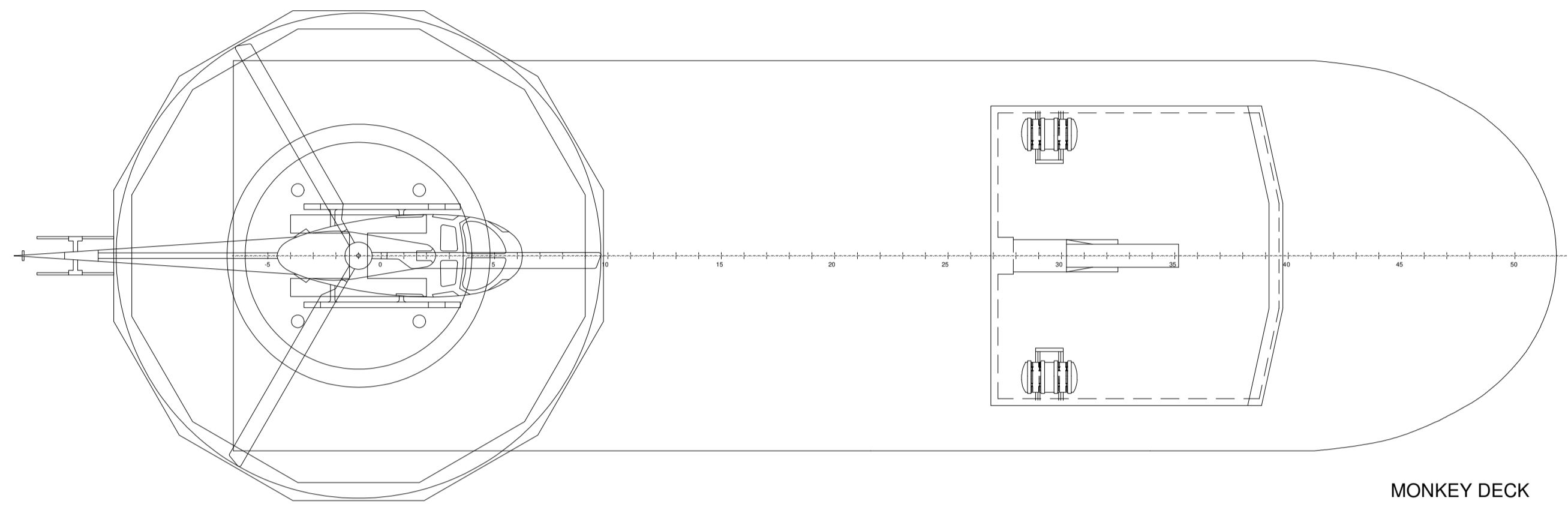
MV MEREDIAN GENERAL ARRANGEMENT (PROPOSAL)



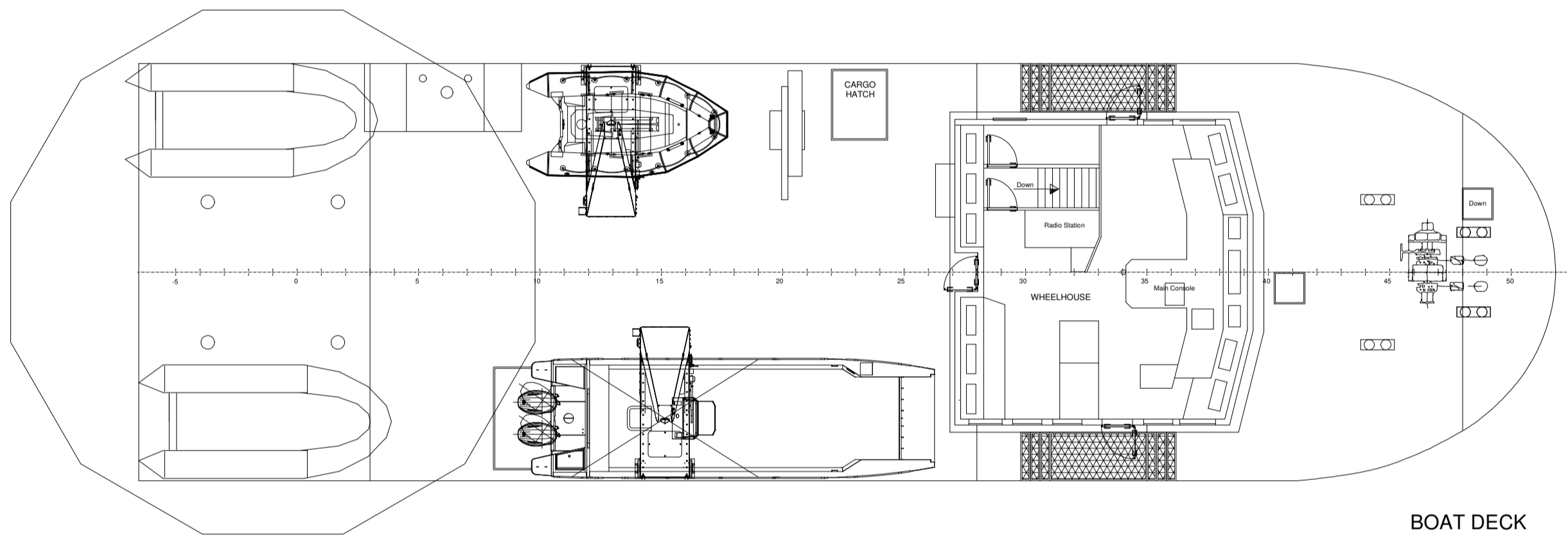
STARBOARD PROFILE



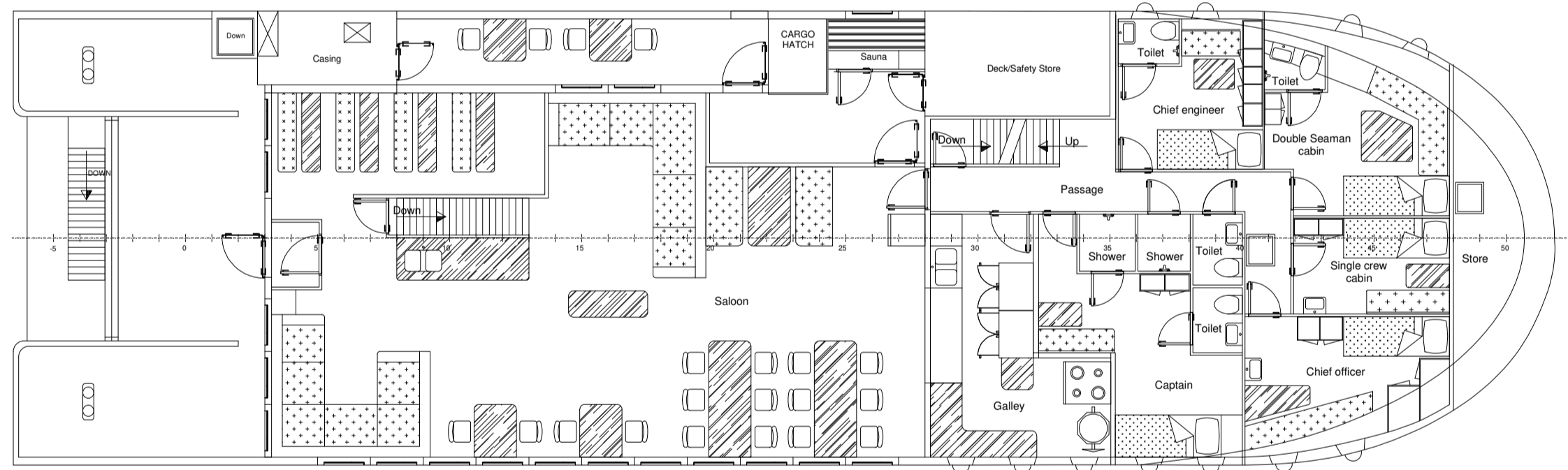
PORT PROFILE



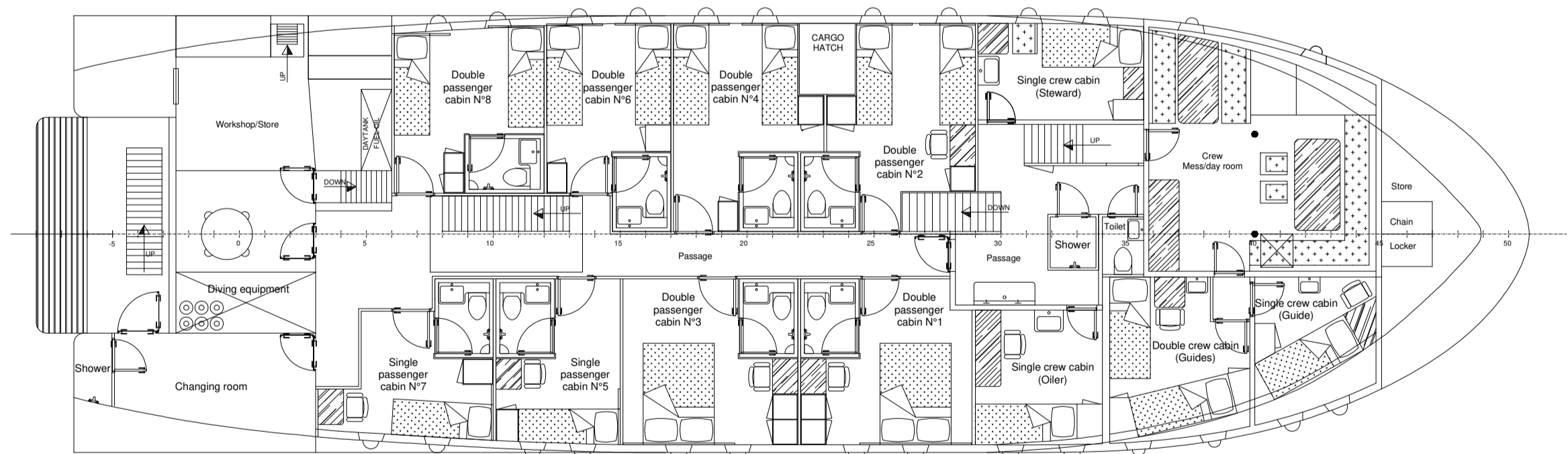
MONKEY DECK



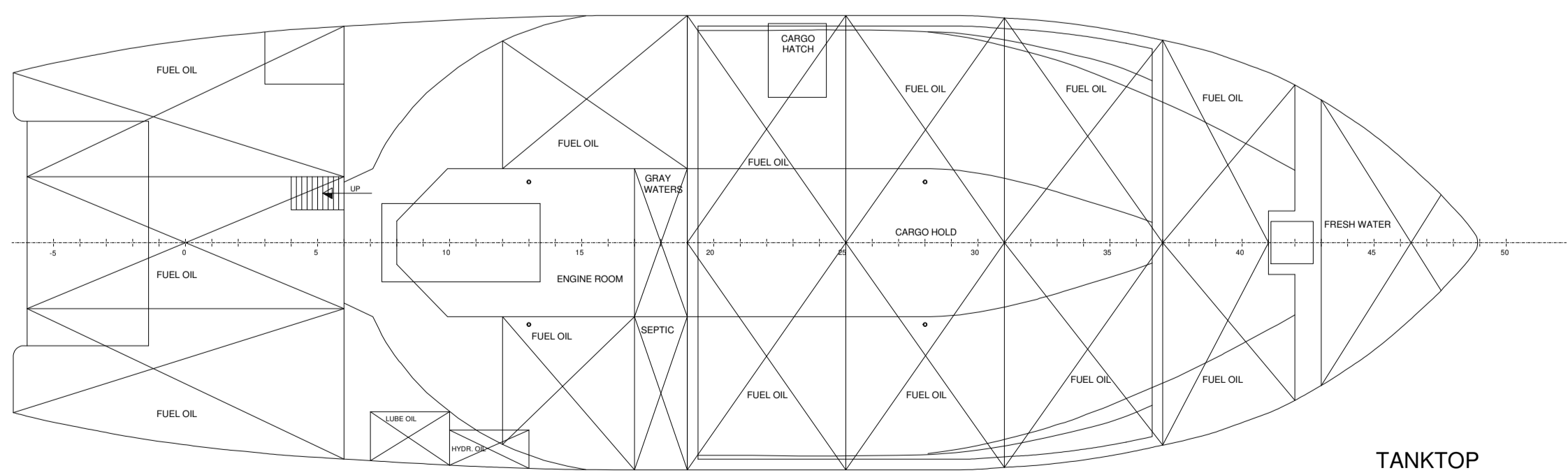
BOAT DECK



SALOON (SHELTER) DECK



PASSENGERS (MAIN) DECK



TANKTOP

MAIN DIMENSIONS

LENGHT OA	31.82 m
LENGHT BPP	24.00 m
MOULDED BEAM	8.60 m
DRAUGHT	4.50 m (To adjust)
DRAFT KEEL - SHELTER DECK	6.75 m
SECTION DISTANCE	0.50 m
GROSS TONNAGE	399 (To adjust)
SHIPYARD	Sao Jacinto SA, Aveiro
HULL NR / YEAR	165/1987

Rev.	Corr.	Date/Sign.	Rev.	Corr.	Date/Sign.
1			3		
2			4		

Date	30-Sept-2025	Client/Drawn	DCC	Tracet
Scale	1:100			
Author		Drawing No.	3039-26-01	David Cuetos C. - Naval Architect
Reference				
Replacement for				3039-01-26 Rev.2