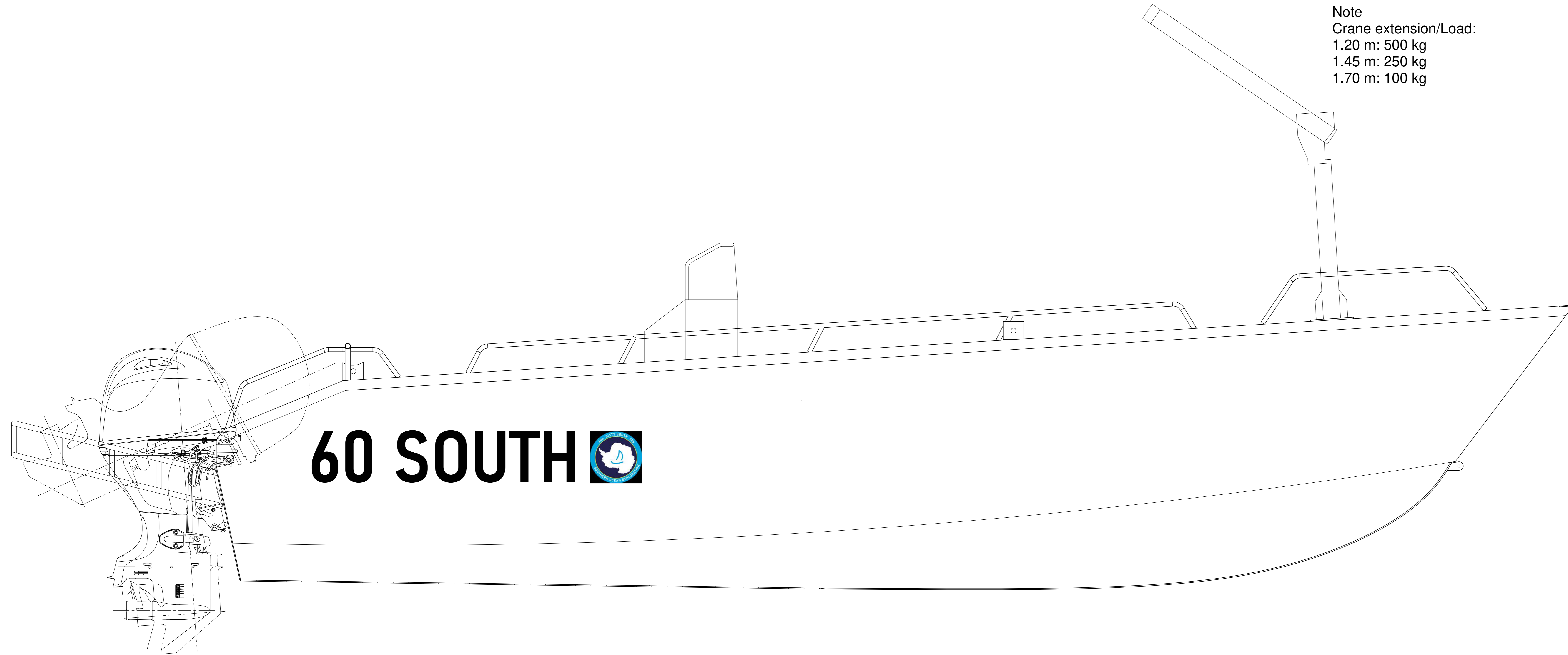


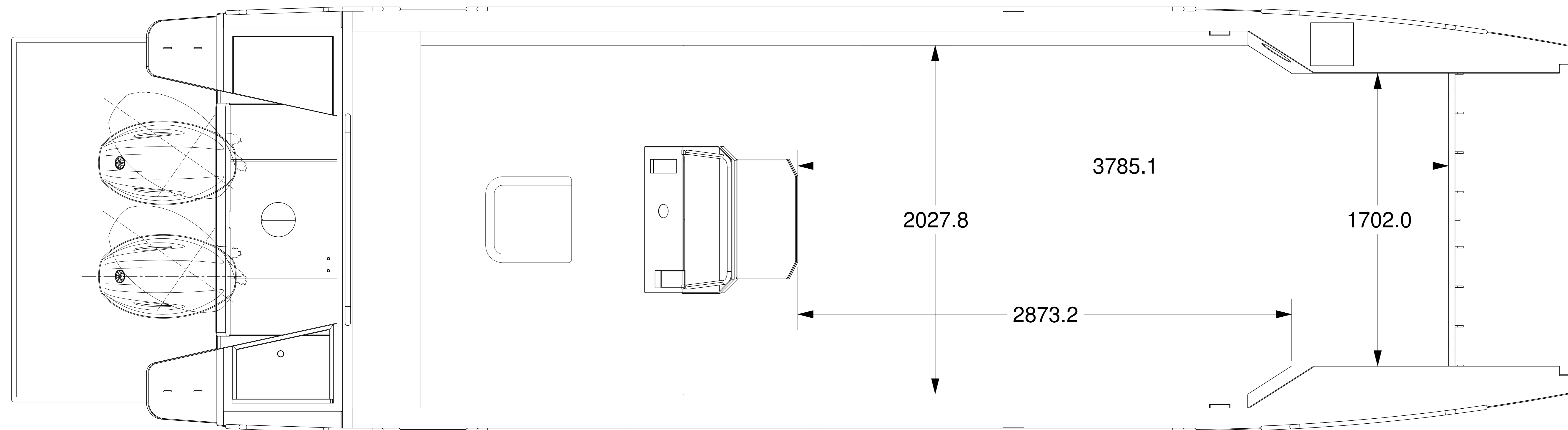
# Landing Craft - MV Meredian



## MAIN DIMENSIONS

Length of hull: 7.90 m  
Beam of hull: 2.45 m  
Draught: 0.52 m  
Displacement: 2362 kg  
Load capacity: 2059 kg  
Max. persons: 13

Propulsion: 2x 90 HP Yamaha outboards  
Lifting appliances: 1x extendable crane  
(see note)



Rev:	Corr:	Base Sign:
Date:	16-Aug-2025	Drawn/Checked:
Scale:	1:10	Company:
Drawing No.:	ME-LC-01	Architect:
Landing Craft MV Meredian General Arrangement Plan		THIS DRAWING CAN NOT BE MADE PUBLIC, COPIED OR OTHERWISE USED WITHOUT THE WRITTEN CONSENT OF OUR COMPANY. Replacement for: